

GPS HR Antenna and Mount Kits Installation Instructions



Read these instructions thoroughly before assembly. Follow the sequence for proper assembly and operation.

NOTICE

The installation, maintenance, or removal of antenna systems requires qualified, experienced personnel. Antenna systems should be inspected once a year by qualified personnel to verify proper installation, maintenance, and condition of equipment.

ANTENNA DESCRIPTIONS

GPS-TMG-HR-26N is a self contained GPS antenna and mount kit. The kit includes a right hand circularly polarized antenna that incorporates a 26 dB high performance, high out-of-band rejection, narrow band amplifier. It also includes mounting hardware to attach the antenna to a vertical pipe within a range of diameters. See **Mounting Pipe Diameters** for each kit.

GPS-TMG-HR-40N is a self contained GPS antenna and mount kit. The kit includes a right hand circularly polarized antenna that incorporates a 40 dB high performance, high out-of-band rejection, narrow band amplifier. It also includes mounting hardware to attach the antenna to a vertical pipe within a range of diameters. See **Mounting Pipe Diameters** for each kit.

Note: A +5 volt dc bias is required for each of the active antennas and is fed via the center conductor to provide power for the integrated low noise preamplifier. The voltage should already be present.

MOUNTING KIT DESCRIPTIONS

The Standard Mount Kit includes the Collar Bracket Mount Kit and the L-Bracket Mount Kit. Depending on your requirements, you can use these kits together or separately. Keep remaining materials for future use.

Collar Bracket Mount Kit - Part # GPS-TMG-MNT-R

Refer to Figure 1. The Collar Bracket Mount Kit includes these parts:

Item #	Quantity	Description
1a	1	Collar
2	1	Gasket
3a	4	M5 Mounting Screw
4a	2	0.25"-20 UNC-3A x 1.0 set screw
5a	1	Allen wrench

Range of Mounting Pipe Diameters for Collar Bracket Mount Kit

The Collar Bracket Mount Kit attaches the GPS antenna onto a customer-supplied vertical pipe with a diameter ranging from 1.05" (26.7 mm) to 1.315" (33.4 mm). Standard 3/4" and 1" pipe (which has an outside diameter of 1.05" (26.7 mm) and 1.315 (33.4 mm), respectively can be used. **Note:** The Collar Bracket Mount attaches to the top of the customer-supplied vertical pipe. Cable installation is through the internal diameter of the pipe.

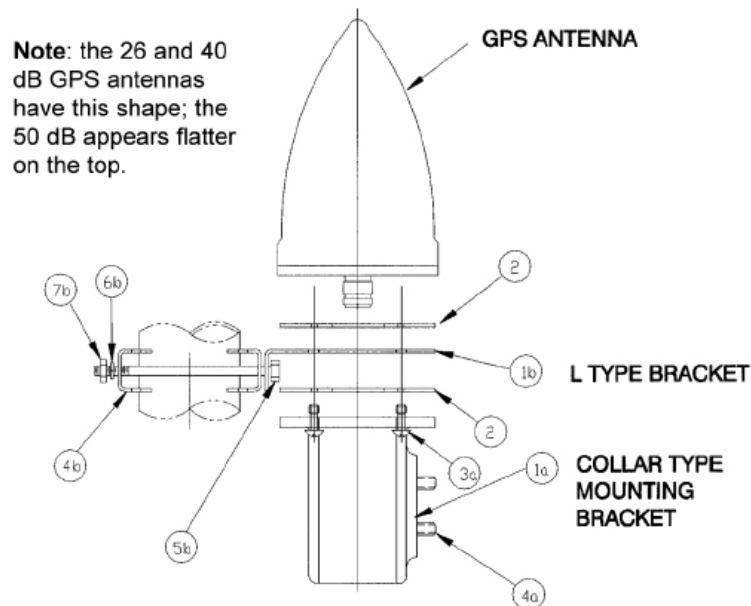
L-Bracket Mounting Kit - Part # GPS-TMG-LMMT

Refer to Figure 1. The L-Bracket Mount Kit includes these parts:

Item #	Quantity	Description
1b	1	L-Bracket
2	1	Gasket
3b	4	M5 Mounting Screw
4b	2	Cleat
5b	2	0.25"-20 UNC x 3.5" hex head cap screw
6b	2	0.25" lock washer
7b	2	0.25"-20 UNC hex nut

Range of Mounting Pipe Diameters for L-Bracket Mount Kit

The **L-Bracket Mount Kit** attaches the GPS antenna onto a customer-supplied vertical pipe with a diameter ranging from 1.05" (26.7 mm) to 1.9" (48.3 mm). Standard 3/4", 1", 1-1/4", and 1-1/2" pipe (which has an outside diameter of 1.05" (26.7 mm), 1.315" (33.4 mm), 1.66" (42.2 mm), and 1.9" (48.3 mm) respectively can be used.



Note: the 26 and 40 dB GPS antennas have this shape; the 50 dB appears flatter on the top.

Figure 1: Standard Mount Assembly

TOOLS REQUIRED FOR INSTALLATION

- (1) Phillips cross-head screwdriver. #2
- (2) 7/16" open end wrenches

INSTALLING THE STANDARD MOUNT KIT

Note: The Standard Mount Kit contains 2 mounting bracket types. The two brackets can be used together, as the Standard Mount Kit shown in Figure 1, separately as the Collar Bracket Mount Kit shown in Figure 2, or separately as the L-Bracket Mount Kit shown in Figure 3.

****NOTE: This antenna contains precision electronic equipment. Installers must observe precautions for handling electrostatic sensitive devices.****

Refer to Figure 1.

- 1** Before you begin, be sure that the mounting pipe is the correct diameter and free of any components from previous installations.
- 2** Attach the L-bracket (1b) to the customer-supplied vertical mounting pipe using bolts (4b, 5b, 6b, and 7b). Locate in the desired position.
- 3** Tighten 0.25" hardware.
- 4** Insert the cable assembly, fitted with N male connector, through the collar (1a) and gasket (2). Install captive screws (3a). **Do not install set screws (4a) for this configuration.**
- 5** With the gasket (2) on top of the L-bracket, insert the cable assembly through the L-bracket and gasket. Attach the cable assembly to the GPS antenna and tighten the connector as required.
- 6** Slide the collar and gasket up to the antenna and attach the antenna by pushing the four captive screws through the gaskets and tighten them into the antenna base.
- 7** Install the weatherproofing (not provided with the Standard Mount Kit) that extends from directly underneath the flange on the collar bracket to at least 3" below the bottom of the collar measured on the cable assembly. The unused set screw holes are covered.

INSTALLING THE COLLAR BRACKET MOUNT KIT

Refer to Figure 2.

- 1 Install captive screws (3a) and set screws (4a) in collar (1a), then push captive screws (3a) through gasket (2) holes in order to retain the gasket.
- 2 Insert the cable assembly, fitted with N male connector, through the customer-supplied vertical mounting pipe, and collar and gasket assembly previously prepared.
- 3 Attach the cable assembly to the GPS antenna and tighten the connector as required.
- 4 Attach the collar and gasket assembly to the antenna and tighten the captive screws (3a) into the antenna base.
- 5 Slide the assembly down so that the collar slides over the mounting pipe. Tighten the set screws (4a).
- 6 Install weatherproofing (not included with the Collar Bracket Mount Kit) that extends from directly underneath the flange on the collar bracket to at least 3" below the bottom of the collar measured on the cable assembly.

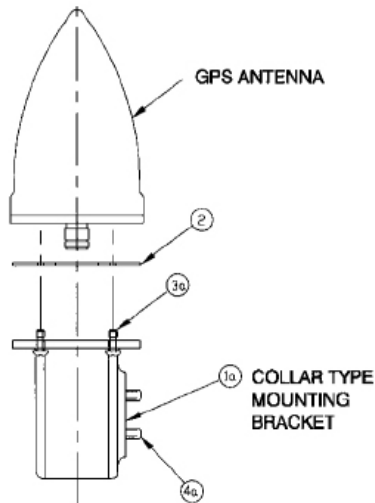


Figure 2: Collar Bracket Mount Kit

INSTALLING THE L-BRACKET MOUNT KIT

- 1 Attach the L-bracket (1b) to the customer-supplied vertical pipe using bolts 4b, 5b, 6b and 7b. Locate in the desired position.
- 2 Tighten 0.25" hardware.
- 3 With a gasket (2) on top of the L-bracket, insert the cable assembly through the L-bracket and gasket. Attach the cable assembly to the GPS antenna and tighten the connector as required.
- 4 Insert the four short screws (3b) through the L-bracket and gasket and attach the antennas and tighten the screws. **Do not use captive screws for this configuration.**
- 5 Install weatherproofing (not provided with the L-Bracket Mount Kit) that extends at least 2" below the bottom of the connector on the cable assembly to directly underneath the base plate of the antenna.

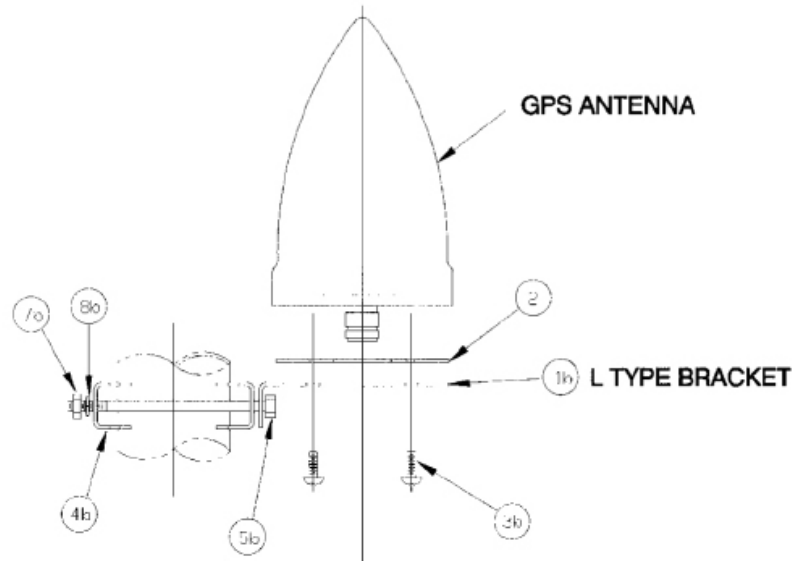



Figure 3: L-Bracket Mount Kit

部件名称	有毒有害物质或元素					
	铅 (Pb)	汞 (Hg)	镉 (Cd)	六价铬 (Cr6+)	多溴联苯 (PBB)	多溴二苯醚 (PBDE)
天线塑料零件 ANTENNA PLASTIC PARTS	O	O	O	O	O	O
天线金属零件 ANTENNA METAL PARTS	X	O	O	O	O	O
电缆装置 CABLE ASSEMBLY	X	O	O	O	O	O
固定架塑料零件 MOUNT ASSEMBLY PLASTIC PARTS	O	O	O	O	O	O
固定架金属零件 MOUNT ASSEMBLY METAL PARTS	X	O	O	O	O	O

O : 表示该有毒有害物质在该部件所有均质材料中的含量均在SJ/T 11363-2006 标准规定的限量要求以下。
X : 表示该有毒有害物质至少在该部件的某一均质材料中的含量超出SJ/T11363-2006 标准规定的限量要求。



这张表意欲只联络服从与中国要求; 它不意欲联络服从与欧共体RoHS 任何其它环境要求。